

WATER TEST KIT "Simple Pack"



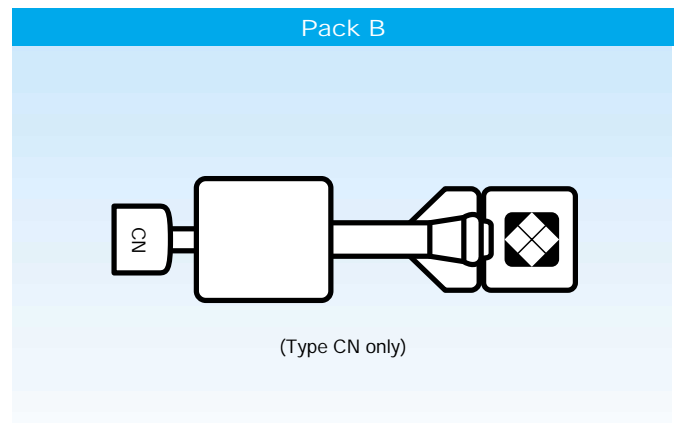
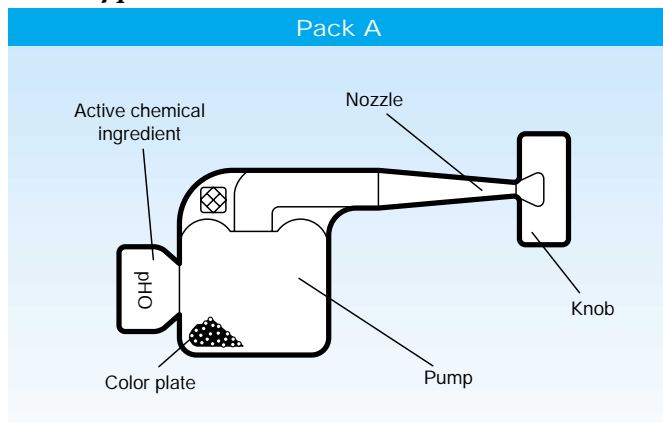
Outline

At those times when at the actual water sampling sites, you must decide whether or not to bring the sample itself back to the laboratory for further testing or if there is an overly standard amount (if any) of testing matter in the sample or not, etc, with the "Simple Pack" anyone especially the inexperienced can easily make this determination quickly and efficiently. The "Simple Pack" was designed and developed by incorporating those color comparison methods approved by the JIS and Hygienic Testing Laws, etc. Results are gained from simply drawing the test water, shake, and compare colored water solution to the color chart.

Feature

Light and handy analysis kit !
Able to fit in the palm of your hand (total length 55 mm.) and nearly weightless.
Operated by simply drawing the test water and shake !
Pre-packed testing material in the collector tube allows fast results (colored water solution) after test water is shaken, from 10 seconds to a few minutes.
All necessary items are collector tube and color chart, that's it !
Absolutely no other items required for simple and accurate testing. (excluding COD)
No experience required !
No previous experience nor knowledge required when using "Simple Pack".

Kinds of pack



Purpose

Hydrogen Ion

Whole drinking water, Pool water, Environmental investigation of river water, Drainage inspection and management of work process

Isolated Residual chlorine/Residual chlorine

Tap water from simple reservoir, Well water, Water form building reservoir and management of drinking water/inspection of pool water

Isolated Residual chlorine 100

Strong/weak acidic electrolytic water, Bath water for sterilizing body before using pool

Isolated Residual chlorine 300

Washing water for sterilizing vegetables and eggs, chec-up of chlorine concentration of bath water for sterilizing body before using pool

Nitrous acid ion

Inspection of tap water from simple reservoir and well water, Management of work process, Management of irrigation reservoir, Environmental investigation and management of fish breeding

Cyanide ion

Drainage management of galvanizing plant

Iron

Well water, Tap water from simple reservoir, Management of drinking water from building reservoir, Management of irrigation reservoir, Drainage management, Management of work process, Environmental investigation and management of fish breeding

Copper

Drainage inspection from plant, Management of work process, Inspection of tap water from simple reservoir and well water, Environmental investigation

Fluoride

Drainage inspection from plant, Inspection of tap water, Environmental investigation

Chromium 6 +

Drainage inspection from plant, Management of work process, Environmental investigation

COD

Environmental investigation, Drainage management, Inspection of well water

Total hardness

Inspection of drinking water and life irrigation reservoir, For water quality monitor of boiler reservoir, Management of reservoir for food industry

Manganese

Reservoir management in a plant and management of work process

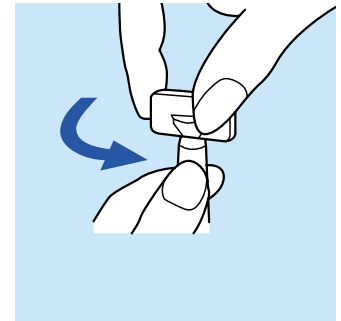
Ammonium

Plant drainage and environmental investigation, Management of fish breeding

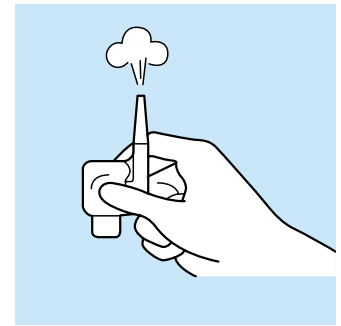
Phosphoric acid

Environmental investigation, Drainage management

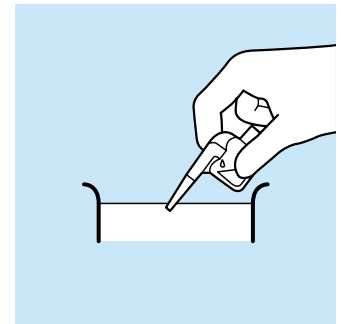
Operation process



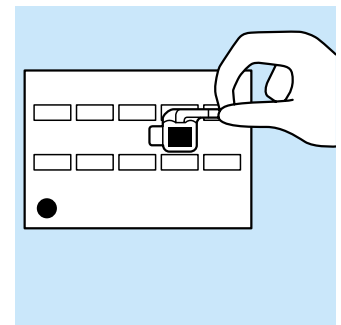
Hold nozzle between fingers and twist knob off.



Squeeze pump once by fingers to remove any trapped air from within pump.



Dip nozzle into test solution. Squeeze pump then slowly release your fingers drawing the solution.



Shake pack well to mix the active chemical ingredient with test solution. Then compare resulting solution color to chart and determine density level.